



SANYO SCROLL COMPRESSORS

For Commercial Air Conditioning



C-SB Series



C-SC Series

SANYO Electric Co., Ltd.
Compressors & Systems Division
Dalian SANYO Compressor Co., Ltd.

01,Jan,2003

European & Chinese power supply specifications models

Refrigerant	Out Put		Displacement cm ³ /rev	Power Source			Compressor Code	Compressor Model	Nominal Capacity			
				Ph	Hz	V			50Hz	60Hz	50Hz	60Hz
	HP	kW					kW	kW	x1000 BTU/h	x1000 BTU/h		
R22	3.5	2.6	55.6	1	50	220,230,240	809 830 45	C-SB261H5A	9.7	-	33.1	-
			56.2	3	50/60	380/440	809 830 88	C-SB263H8A	9.9	-	33.8	-
	4	3.0	66.7	1	50	220,230,240	809 840 45	C-SB301H5A	11.7	-	39.9	-
			66.7	3	50/60	380/440	809 840 88	C-SB303H8A	11.6	14.1	39.6	48.1
			66.7	3	50/60	380/440	809 846 88 * ¹	C-SB303H8G	11.6	14.1	39.6	48.1
	4.5	3.5	77.4	1	50	220,230,240	809 842 45	C-SB351H5A	13.4	-	45.8	-
			77.4	3	50/60	380/440	809 842 88	C-SB353H8A	13.7	-	46.8	-
	5	3.75	83.4	3	50/60	380/440	809 850 88	C-SB373H8A	14.5	17.9	49.5	61.1
			85.5	3	50/60	380/440	809 855 88	CSB-373H8F	15.0	-	51.2	-
	6	4.5	100.0	3	50/60	380/440	808 860 88	C-SB453H8A	17.7	21.5	60.4	73.4
			100.0	3	50/60	380/440	809 866 88 * ¹	C-SB453H8G	17.7	21.5	60.4	73.4
	8	6.0	137.0	3	50/60	380/440	809 281 88	C-SC603H8H	24.2	29.5	82.6	100.7
			137.0	3	50/60	380/440	809 282 88 * ²	C-SC603H8J	24.2	29.5	82.6	100.7
	10	7.5	171.2	3	50/60	380/440	809 201 88	C-SC753H8H	30.5	37.3	104.1	127.3
			171.2	3	50/60	380/440	809 202 88 * ²	C-SC753H8J	30.5	37.3	104.1	127.3
	12	7.5	205.4	3	50	380	809 221 88	C-SC763H8H	36.3	-	123.9	-
205.4			3	50	380	809 222 88 * ²	C-SC763H8J	36.3	-	123.9	-	
R407C	4	3.0	66.7	3	50/60	380/440	809 940 88	C-SBN303H8A	11.5	14.3	39.1	48.8
	5	3.75	83.4	3	50/60	380/440	809 950 88	C-SBN373H8A	14.5	17.8	49.5	60.8
	6	4.5	100.0	3	50/60	380/440	809 960 88	C-SBN453H8A	17.6	21.3	60.1	72.7
	8	6.0	137.0	3	50/60	380/440	809 181 88	C-SCN603H8H	24.3	29.1	83.0	99.4
	10	7.5	171.2	3	50/60	380/440	809 101 88	C-SCN753H8H	30.0	36.2	102.4	123.6
	12	7.5	205.4	3	50	380	809 121 88	C-SCN763H8H	34.8	-	118.8	-

*¹ The connection port of oil balance tube is attached to this model.

*² The connection port of oil level sensor is attached to this model.

Available in 2003

RATING CONDITION	R22	R407C
Condensing Temperature	54.4	54.4
Evaporating Temperature	7.2	7.2
Liquid Temperature	46.1	43.8
Return Gas Temperature	18.3	18.3

* Condensing/Evaporating Temperature of R407C are Mid point temperature.

SANYO SCROLL COMPRESSORS

For Commercial Air Conditioning



North American power supply specifications models

Refrigerant	Out Put		Displacement cm ³ /rev	Power Source			Compressor Code	Compressor Model	Nominal Capacity	
	HP	kW		Ph	Hz	V			60Hz	60Hz
									kW	x1000 BTU/h
R22	3.5	2.6	55.6	1	60	208,230	809 831 46	C-SB261H6B	11.7	39.9
	4	3.0	66.7	1	60	208,230	809 841 46	C-SB301H6B	14.4	49.2
			66.7	3	60	208,230	809 841 86	C-SB303H6B	14.1	48.1
			66.7	3	60	380	809 841 89	C-SB303H9B	14.1	48.1
	4.5	3.5	77.4	1	60	208,230	809 843 46	C-SB351H6B	16.6	56.7
			77.4	3	60	208,230	809 843 86	C-SB353H6B	16.6	56.7
	5	3.75	83.4	3	60	208,230	809 851 86	C-SB373H6B	17.9	61.1
			83.4	3	60	380	809 851 89	C-SB373H9B	17.9	61.1
	6	4.5	100.0	3	60	208,230	809 861 86	C-SB453H6B	21.5	73.4
	8	6.0	137.0	3	60	208,230	809 281 86	C-SC603H6H	29.1	99.4
			137.0	3	60	460,480	809 281 89	C-SC603H9H	29.5	100.7
	10	7.5	171.2	3	60	208,230	809 201 86	C-SC753H6H	36.2	123.6
171.2			3	60	460,480	809 201 89	C-SC753H9H	37.2	127.0	
R407C	4	3.0	66.7	3	60	208,230	809 941 86	C-SBN303H6B	13.9	47.5
	5	3.75	83.4	3	60	208,230	809 951 86	C-SBN373H6B	17.6	60.1
	6	4.5	100.0	3	60	208,230	809 961 86	C-SBN453H6B	20.9	71.4
	8	6.0	137.0	3	60	208,230	809 181 86	C-SCN603H6H	28.8	98.3
	10	7.5	171.2	3	60	208,230	809 101 86	C-SCN753H6H	35.9	122.6
R410A	4	3.0	40.0	3	60	208,230	809 943 86	C-SBN303H6D	12.2	41.7
	5	3.75	55.6	3	60	208,230	809 953 86	C-SBN373H6D	17.1	58.4
	6	4.5	66.7	3	60	208,230	809 963 86	C-SBN453H6D	20.3	69.3

Available in 2003

RATING CONDITION	R22/R410A	R407C
Condensing Temperature	54.4	54.4
Evaporating Temperature	7.2	7.2
Liquid Temperature	46.1	43.8
Return Gas Temperature	18.3	18.3

* Condensing/Evaporating Temperature of R407C are Mid point temperature.

01,Jan,2003

SANYO SCROLL COMPRESSORS

For Commercial Air Conditioning



Japanese power supply specifications models

Refrigerant	Out Put		Displacement	Power Source			Compressor Code	Compressor Model	Nominal Capacity			
				Ph	Hz	V			50Hz	60Hz	50Hz	60Hz
	HP	kW	cm ³ /rev				kW	kW	x1000 BTU/h	x1000 BTU/h		
R22	4	3.0	66.7	3	50/60	200	809 841 83	C-SB303H3B	11.6	14.1	39.6	48.1
	5	3.75	83.4	3	50/60	200	809 851 83	C-SB373H3B	14.5	17.9	49.5	61.1
	6	4.5	100.0	3	50/60	200	809 861 83	C-SB453H3B	17.7	21.5	60.4	73.4
	8	6.0	137.0	3	50/60	200	809 280 83 * ²	C-SC603H3G	24.5	29.1	83.6	99.4
	10	7.5	171.2	3	50/60	200	809 200 83 * ²	C-SC753H3G	30.9	36.2	105.5	123.6
	12	7.5	205.4	3	50	200	809 220 83 * ²	C-SC763H3G	36.3	-	123.9	-
R407C	4	3.0	66.7	3	50/60	200	809 941 83	C-SBN303H3E	11.4	13.9	38.9	47.5
	5	3.75	83.4	3	50/60	200	809 951 83	C-SBN373H3E	14.9	17.6	50.9	60.1
	6	4.5	100.0	3	50/60	200	809 961 83	C-SBN453H3E	17.7	20.9	60.4	71.4
	8	6.0	137.0	3	50/60	200	809 180 83 * ²	C-SCN603H3C	24.5	28.8	83.6	98.3
	10	7.5	171.2	3	50/60	200	809 100 83 * ²	C-SCN753H3C	30.7	35.9	104.8	122.6
	12	7.5	205.4	3	50	200	809 120 83 * ²	C-SCN763H3C	36.0	-	122.9	-
R410A	4	3.0	40.0	3	50/60	200	809 943 83	C-SBN303H3D	9.9	12.2	33.8	41.7
			40.0	3	50/60	200	809 944 83 * ¹	C-SBN303H3E	9.9	12.2	33.8	41.7
	5	3.75	55.6	3	50/60	200	809 953 83	C-SBN373H3D	14.2	17.1	48.5	58.4
			55.6	3	50/60	200	809 954 83 * ¹	C-SBN373H3E	14.2	17.1	48.5	58.4
	6	4.5	66.7	3	50/60	200	809 963 83	C-SBN453H3D	16.7	20.3	57.0	69.3

*¹ The connection port of oil balance tube is attached to this model.

*² The connection port of oil level sensor is attached to this model.

RATING CONDITION

R22/R410A R407C

Condensing Temperature		54.4	54.4
Evaporating Temperature		7.2	7.2
Liquid Temperature		46.1	43.8
Return Gas Temperature		18.3	18.3

* Condensing/Evaporating Temperature of R407C are Mid point temperature.

01,Jan,2003

Model Nomenclatures

Compressor Code

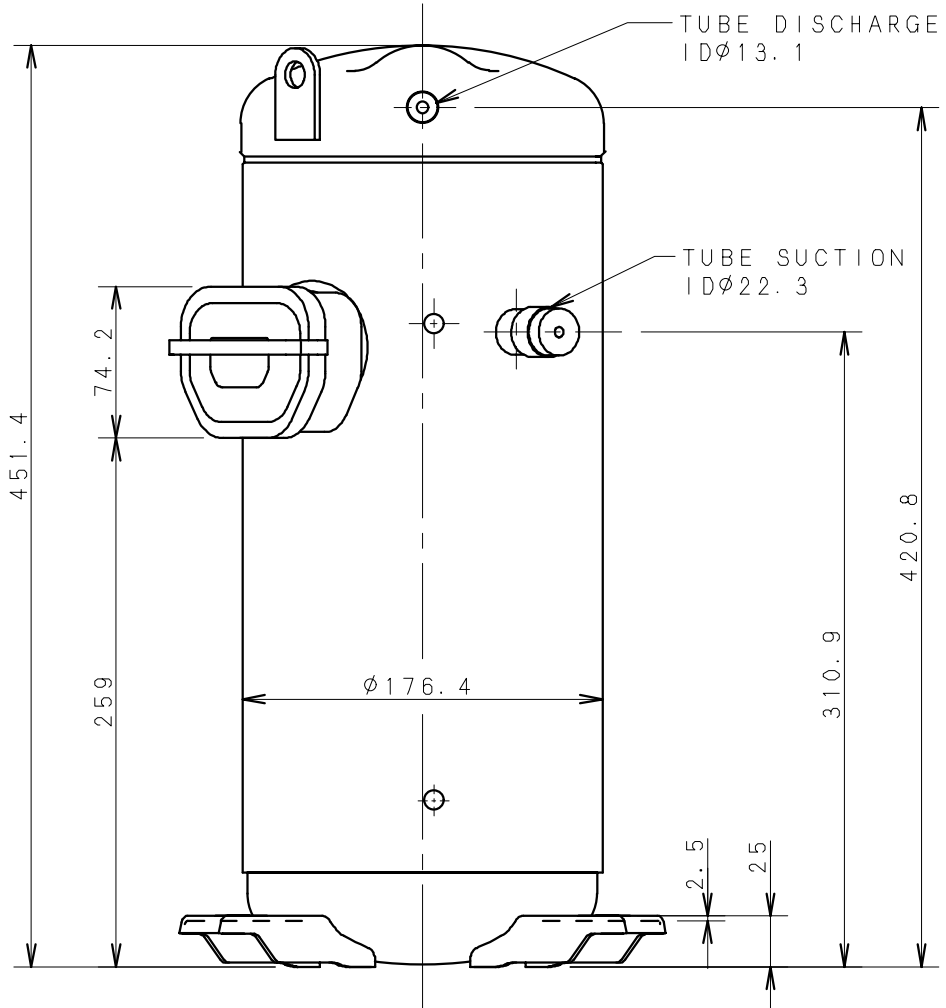
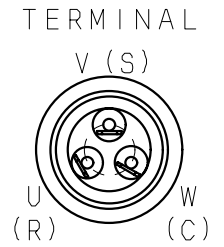
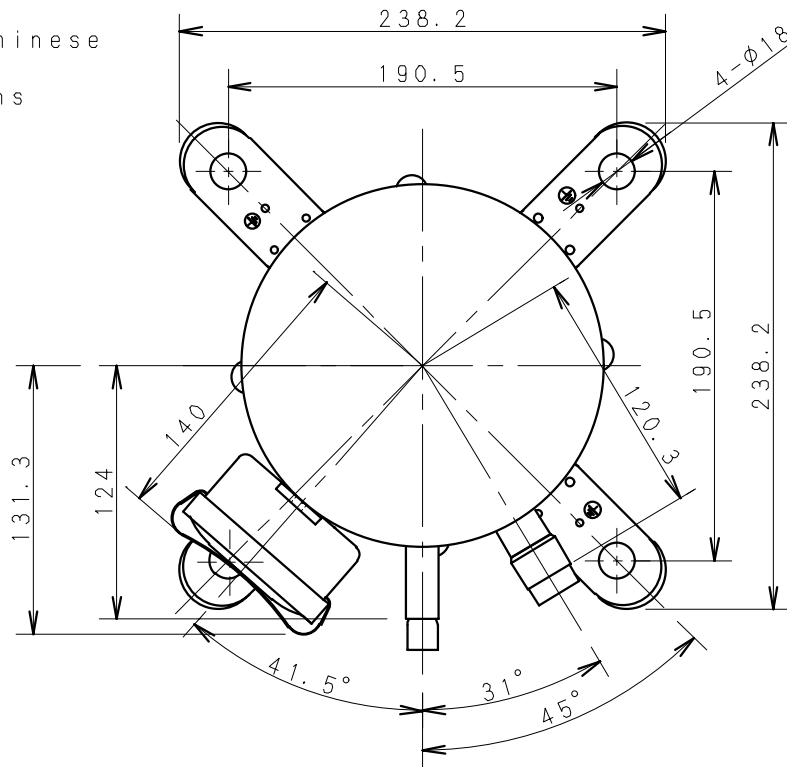
8	0	9	A	B	C	D	E	
Voltage Designator		3 : 50Hz 200V / 60Hz 200, 220V						
		5 : 50Hz 220, 230, 240V						
		6 : 60Hz 208, 230V						
		8 : 50Hz 380, 415V / 60Hz 440V						
		9 : Special Voltage						
Motor phase, Application		4 : 1 Phase, High Back Pressure						
		8 : 3 Phase, High Back Pressure						
Design Serial No.		0 ~ 9						
Rated Output (HP)		4 : 4HP, 4.5HP			8 : 8HP			
		5 : 5HP			0 : 10HP			
		6 : 6HP			2 : 12HP			
Compressor Series		8 : C-SB Series (HCFC 22)						
		9 : C-SB Series (HFC)						
		2 : C-SC Series (HCFC 22)						
		1 : C-SC Series (HFC)						
Compressor Type		809 : Scroll Type						

Compressor Model

C-X X	A A B	C D E	
Design Serial No.		A ~	
Voltage Designator		3 : 50Hz 200V / 60Hz 200, 220V	
		5 : 50Hz 220, 230, 240V	
		6 : 60Hz 208, 230V	
		8 : 50Hz 380, 415V / 60Hz 440V	
		9 : Special Voltage	
Application		H : High Back Pressure	
Motor Phase		1 : 1 Phase	
		3 : 3 Phase	
Rated Output		AAx100 W	
Compressor Type		C-SB : C-SB Scroll Series	
		C-SC : C-SC Scroll Series	

DIMENSIONAL SKETCH

C-SB Series
 2.6-4.5kW
 European & Chinese
 power supply
 specifications
 models



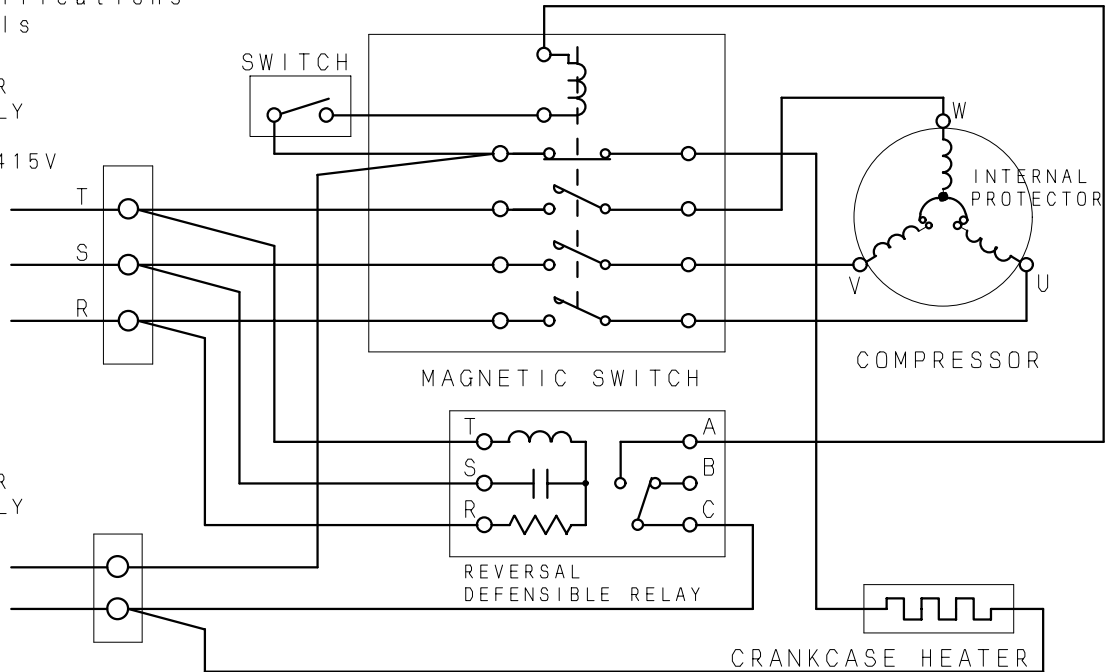
WIRING & MOUNTING SKETCH

WIRING DIAGRAM

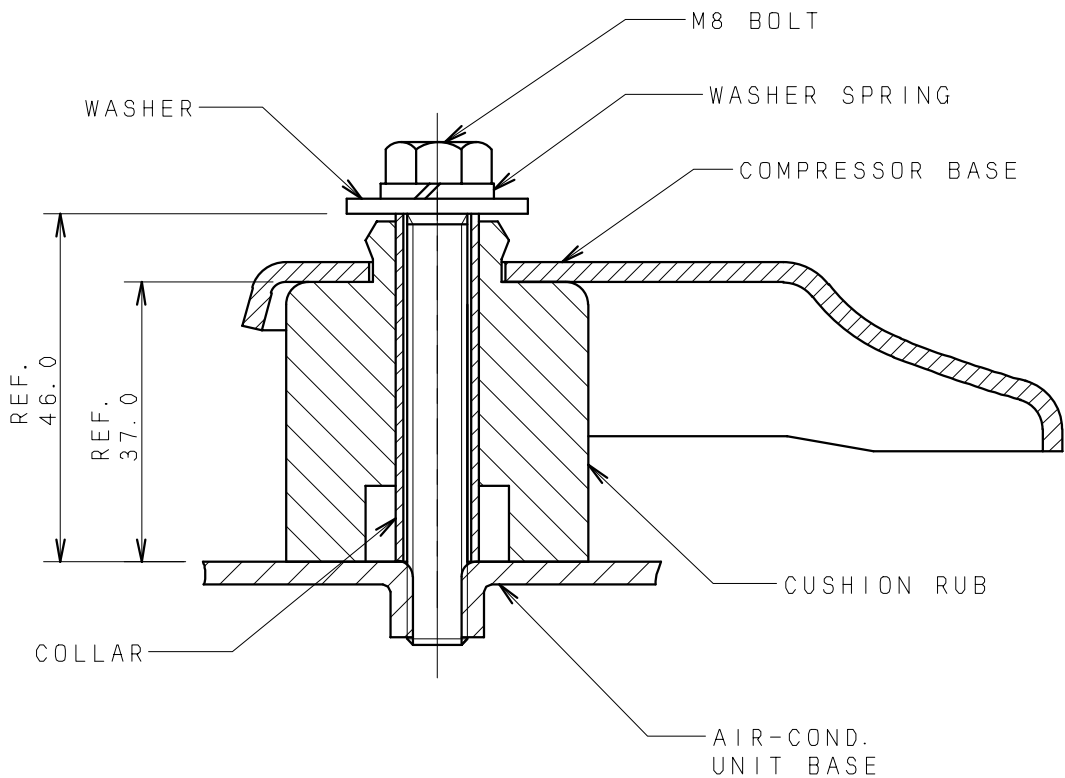
C-SB Series 3 phase
 2.6-4.5kW
 European & Chinese
 power supply
 specifications
 models

POWER
 SUPPLY
 50Hz
 380-415V

POWER
 SUPPLY
 50Hz
 220V



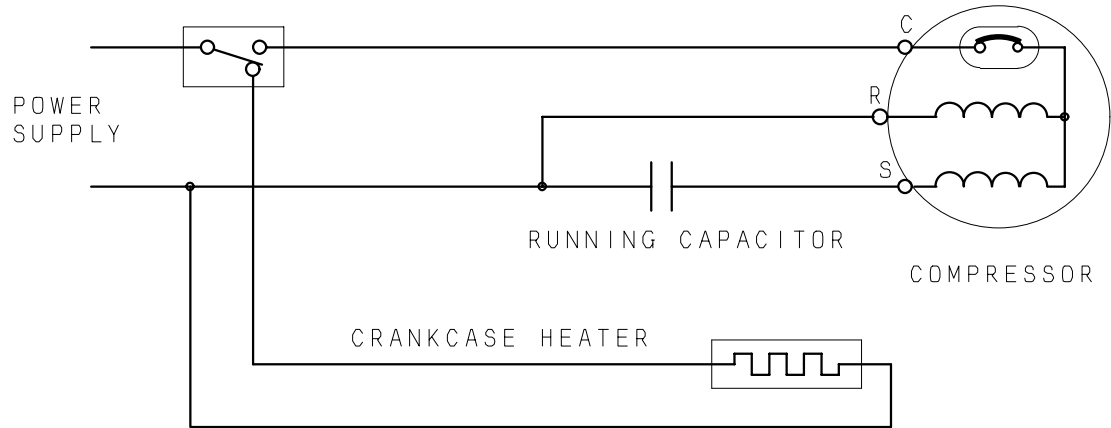
MOUNTING SKETCH



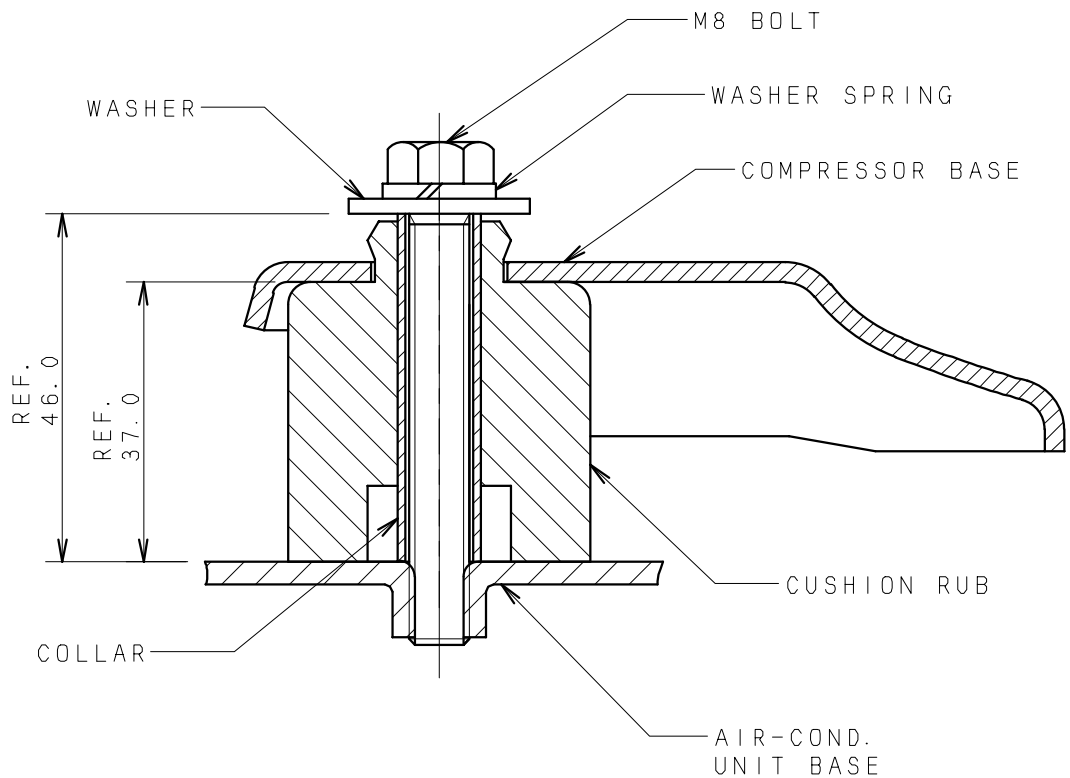
WIRING & MOUNTING SKETCH

WIRING DIAGRAM

C-SB Series 1 phase



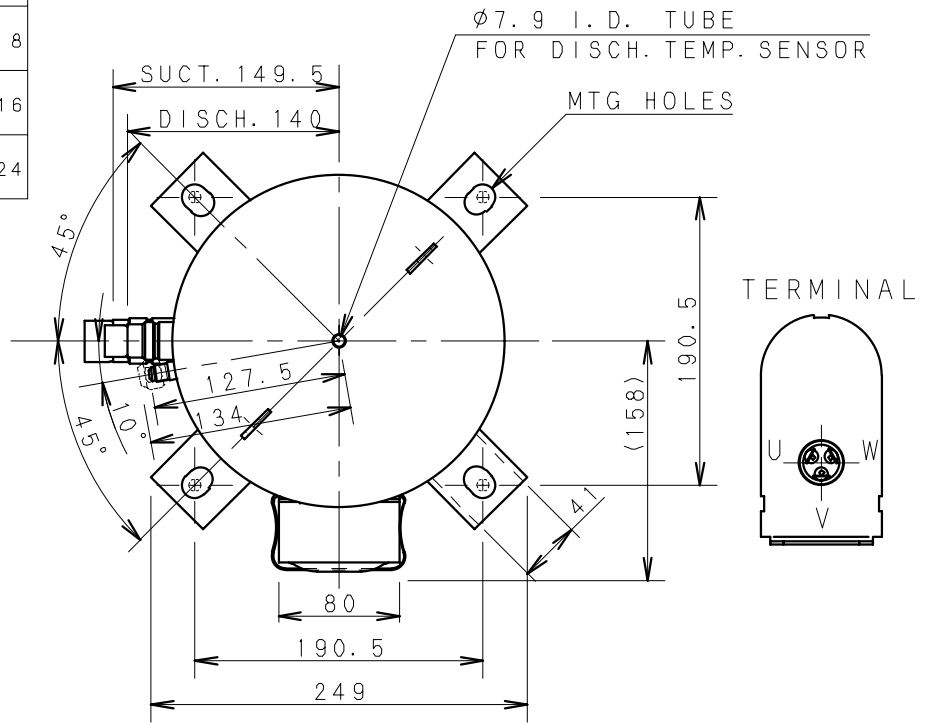
MOUNTING SKETCH



DIMENSIONAL SKETCH

COMPRESSOR CODE	A	B	C	D
80928*88 80918*88	538	284	486	8
80920*88 80910*88	553	299	501	16
80922*88 80912*88	553	299	501	24

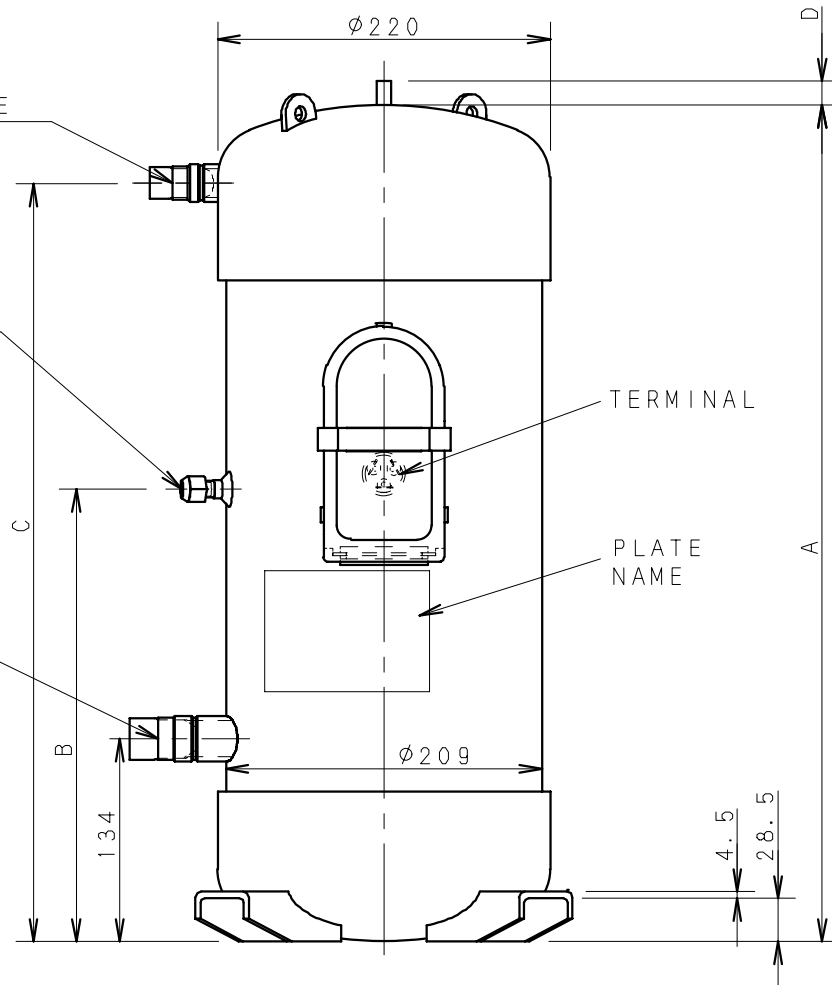
C-SC Series
6.0-7.5kW
European & Chinese
power supply
specifications
models



DISCHARGE
ACCEPT
Ø19.05 O. D. TUBE

CONNECTOR
7/16-20UNF-2A
(1/4 FLARE
CONNECT)

SUCTION
ACCEPT
Ø25.4 O. D. TUBE



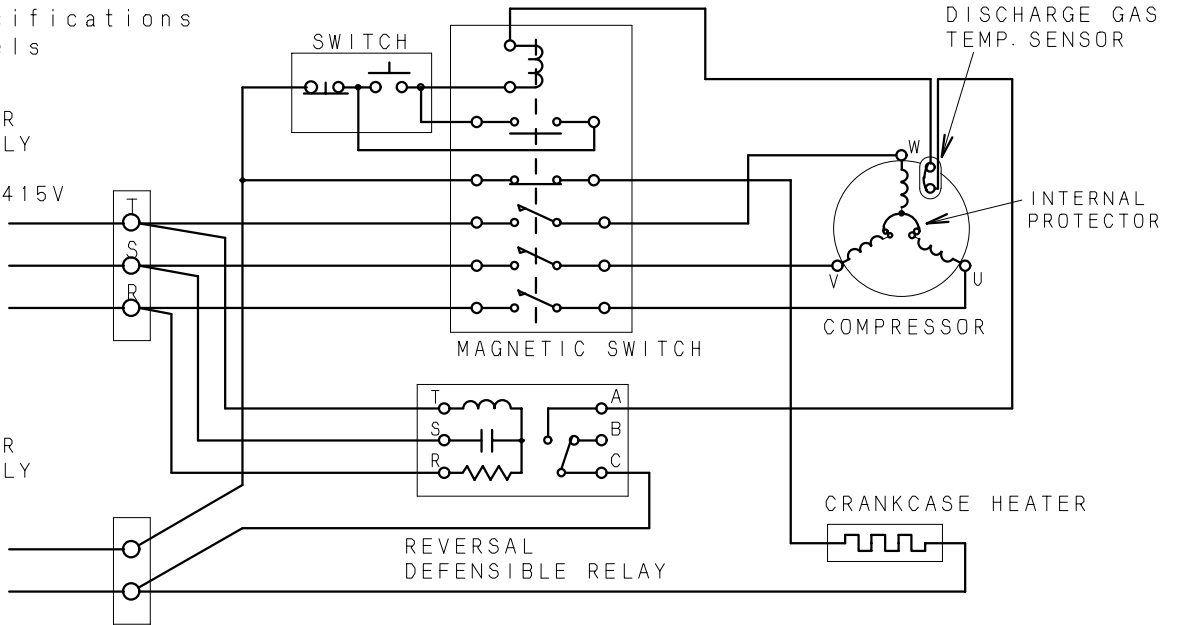
WIRING & MOUNTING SKETCH

WIRING DIAGRAM

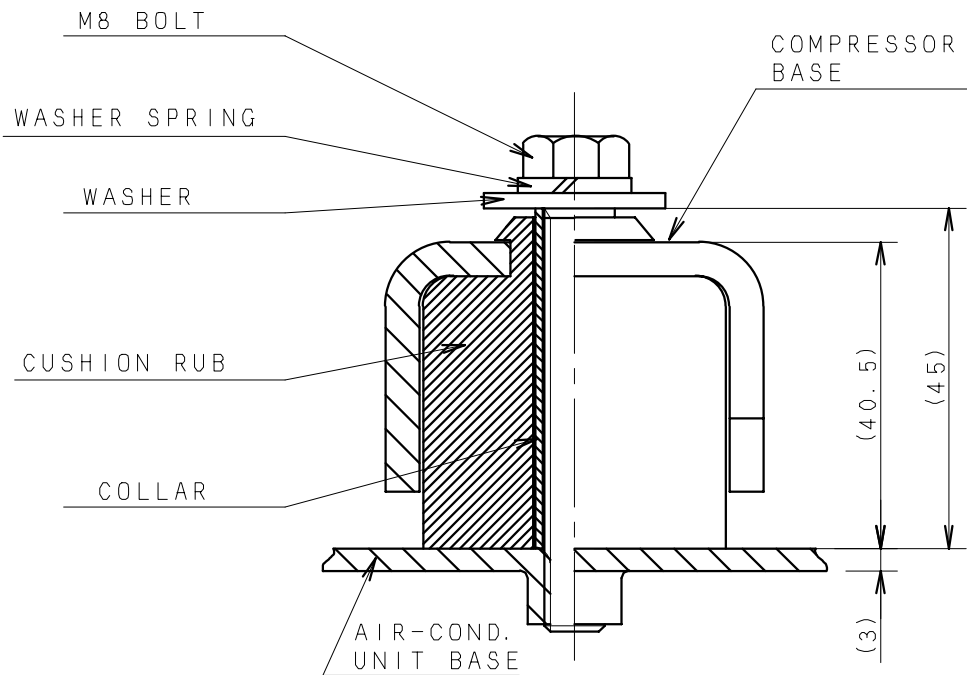
C-SC Series
6.0-7.5kW
European & Chinese
power supply
specifications
models

POWER
SUPPLY
50Hz
380-415V

POWER
SUPPLY
50Hz
220V

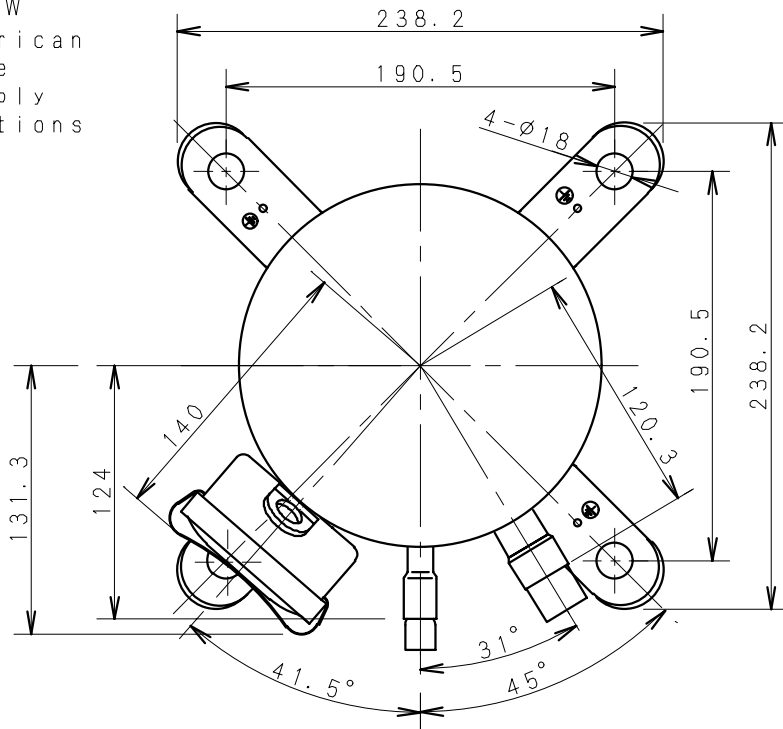


MOUNTING SKETCH

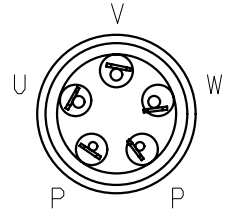


DIMENSIONAL SKETCH

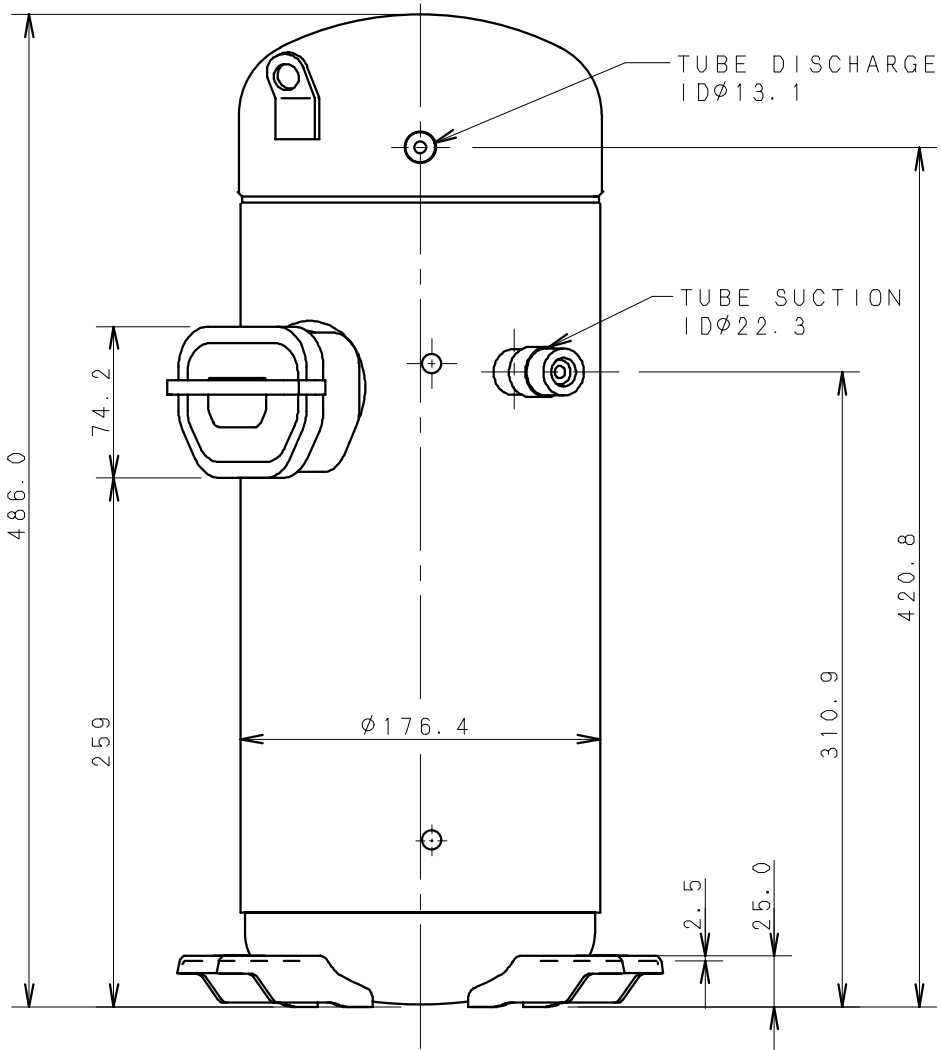
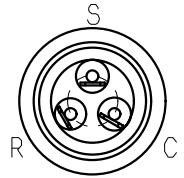
C-SB Series
 2.6-4.5kW
 North American
 & Japanese
 power supply
 specifications
 models



TERMINAL
 3 phase



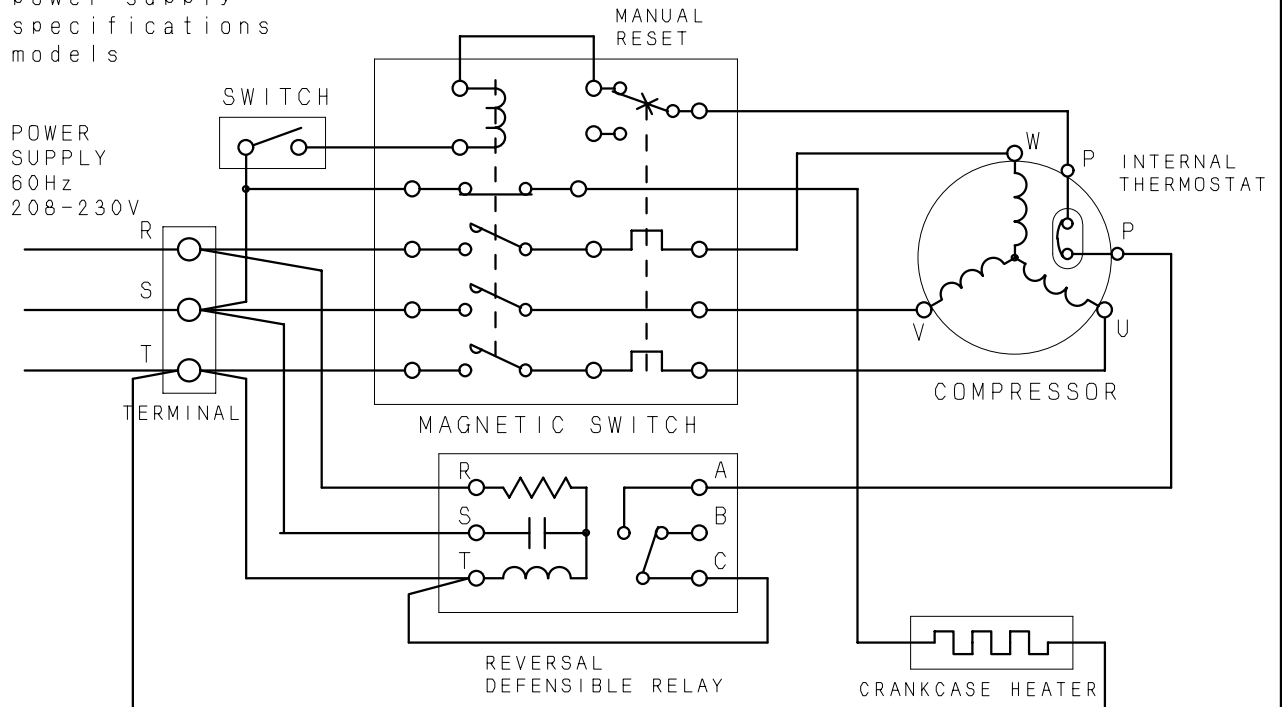
TERMINAL
 1 phase



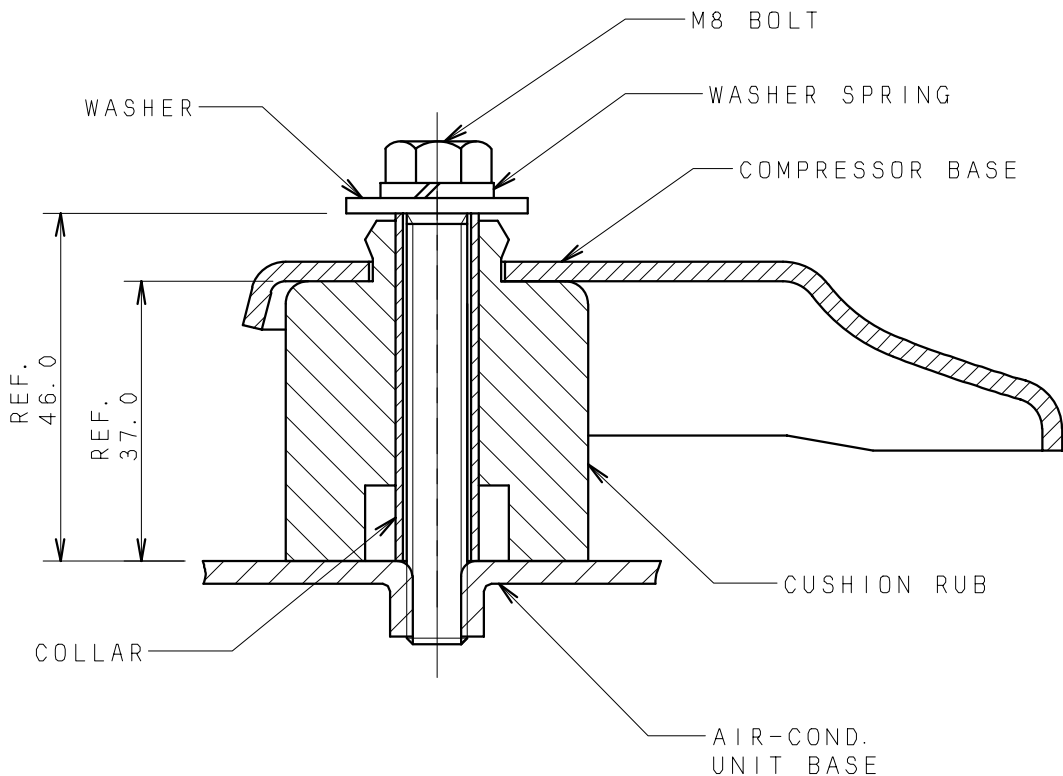
WIRING & MOUNTING SKETCH

WIRING DIAGRAM

C-SB Series 3 phase
 2.6-4.5kW
 North American
 power supply
 specifications
 models



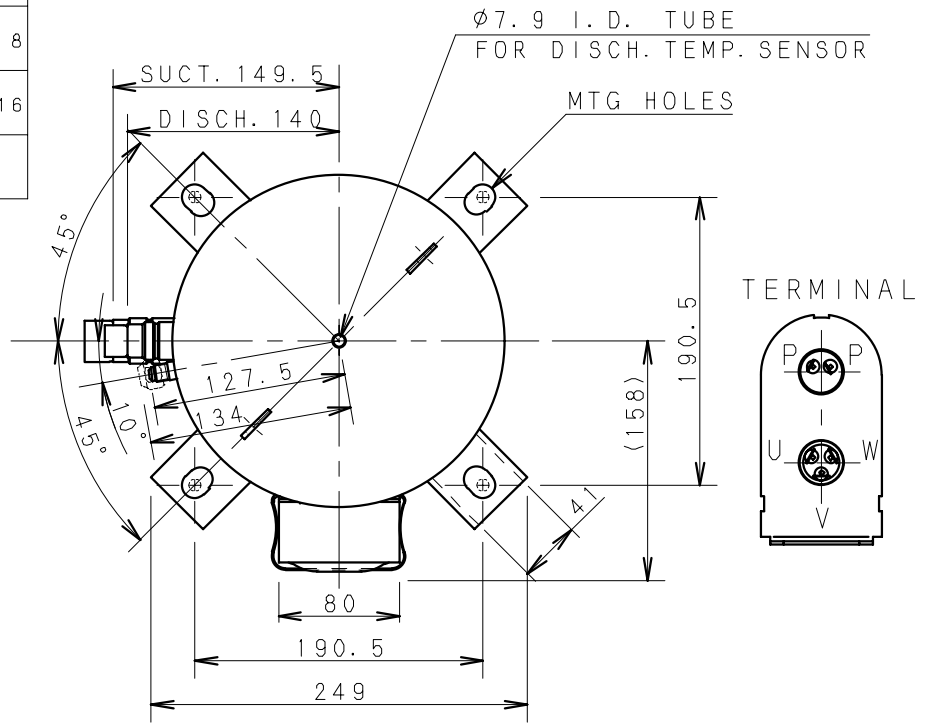
MOUNTING SKETCH



DIMENSIONAL SKETCH

COMPRESSOR CODE	A	B	C	D
80928*8* 80918*8*	538	284	486	8
80920*8* 80910*8*	553	299	501	16

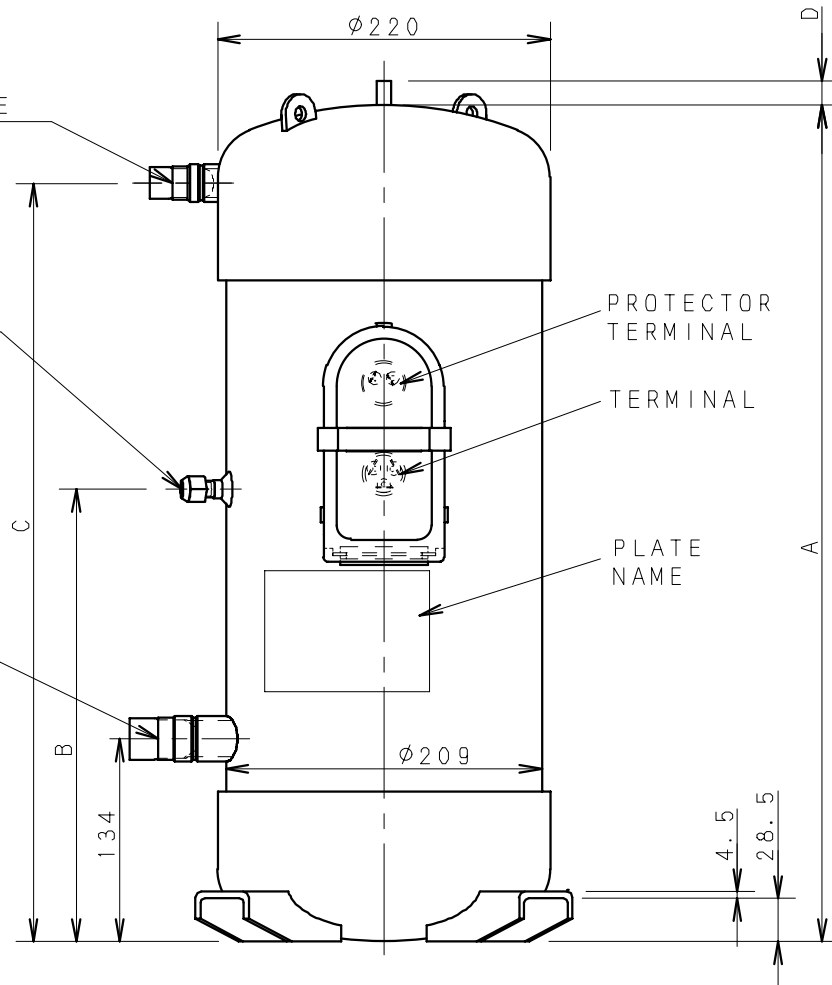
C-SC Series
6.0-7.5kW
North American
power supply
specifications
models



DISCHARGE
ACCEPT
Ø19.05 O. D. TUBE

CONNECTOR
7/16-20UNF-2A
(1/4 FLARE
CONNECT)

SUCTION
ACCEPT
Ø25.4 O. D. TUBE

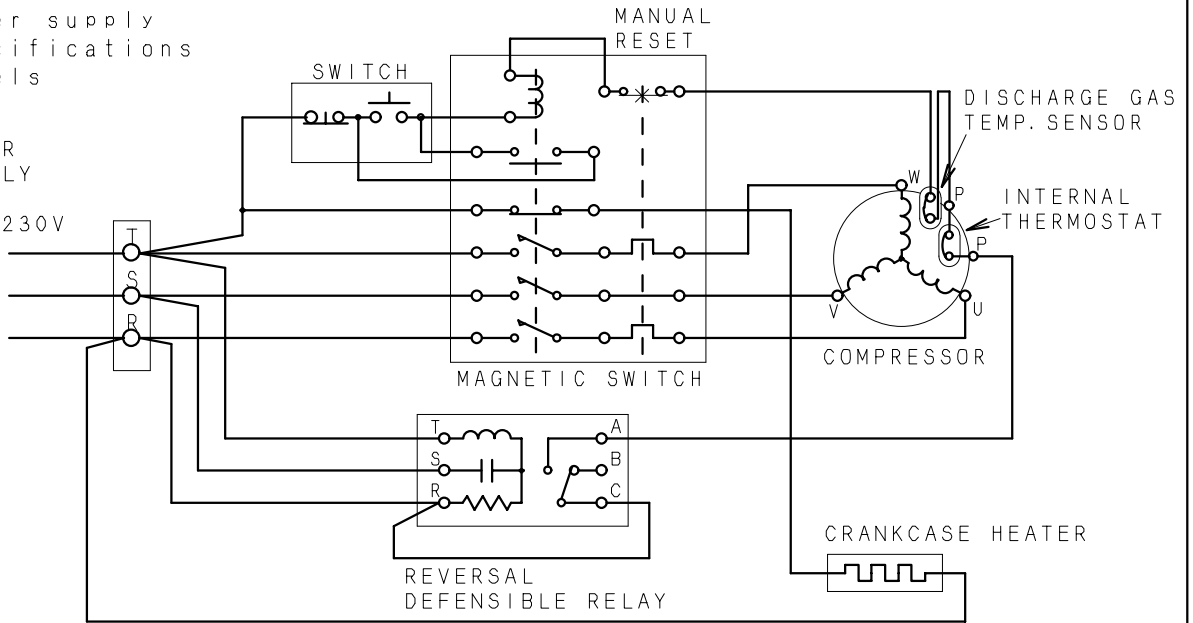


WIRING & MOUNTING SKETCH

WIRING DIAGRAM

C-SC Series
6.0-7.5kW
North American
power supply
specifications
models

POWER
SUPPLY
60Hz
208-230V



MOUNTING SKETCH

